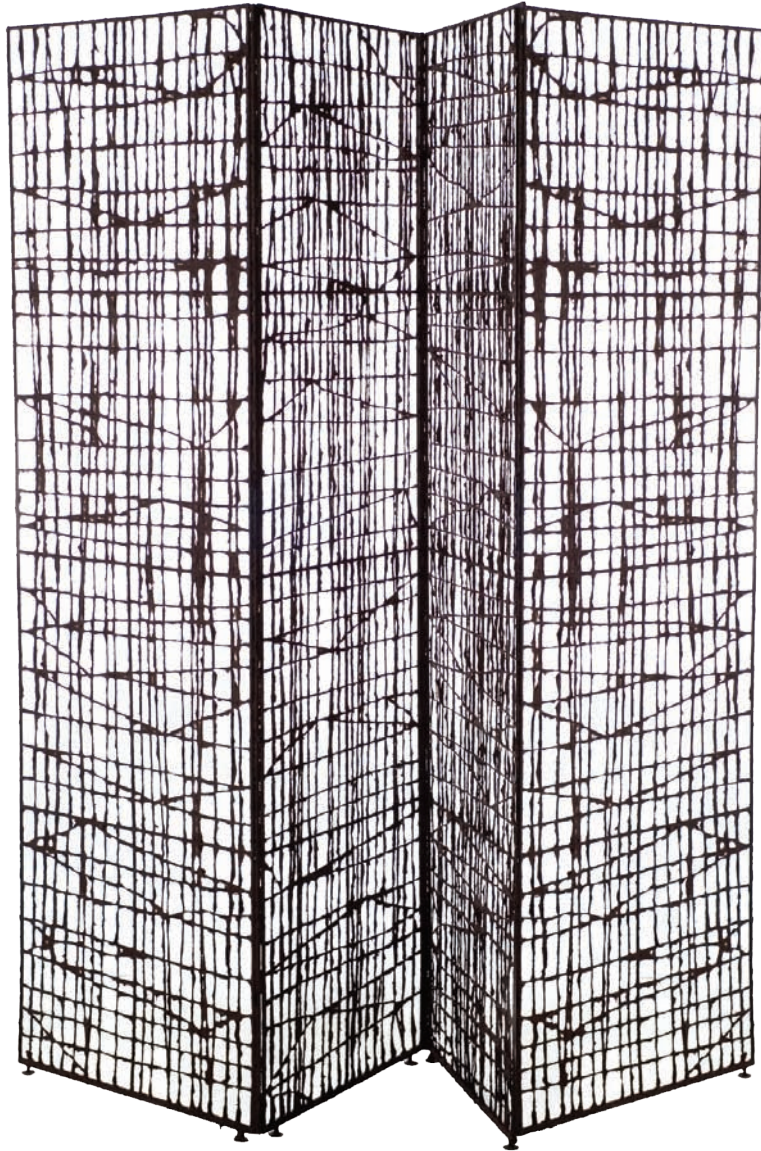
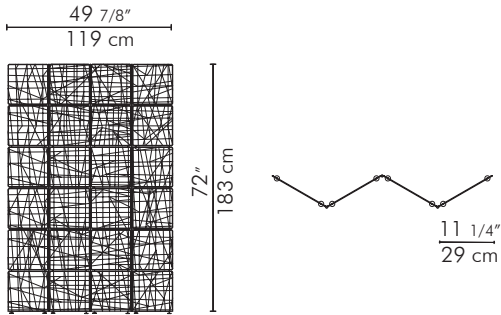


C-U C-ME

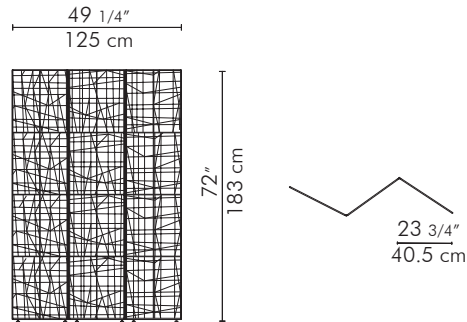
FOLDING SCREEN



4 Panels




3 Panels



 4.38 kg (9.66 lbs.)

5.25 kg (11.57 lbs.)

 12 kg (26.46 lbs.)

11.25 kg (24.80 lbs.)

 0.072735

0.079088

MATERIALS

powder coated metal frame,
salago pulpe fiber

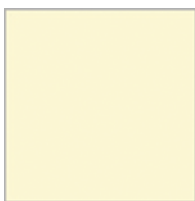
DESIGNER

Kenneth Cobonpue

FINISHES



BROWN



CREAM